

TUBE FITTINGS

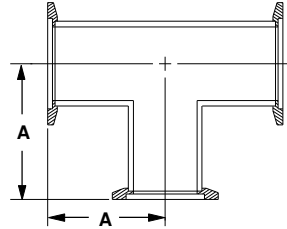
[CROSSES](#) [CUBE \(6-WAY CROSS\)](#) [ELBOWS](#)

[FLEXIBLE COUPLINGS](#) [HALF NIPPLES](#) [NIPPLES](#)

TEES - STAINLESS STEEL

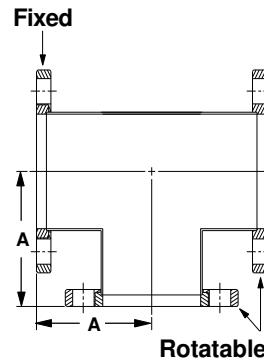
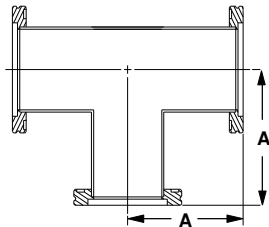
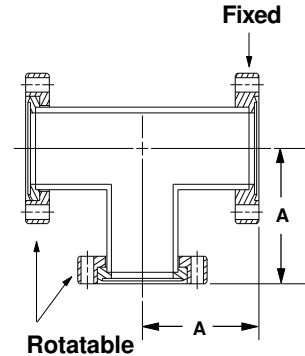
NW TEE

PART NUMBER	FLANGE SIZE	TUBE O.D.	A	PRICE \$
110712	NW-16	.75	1.50	60
110713	NW-25	1.00	2.04	60
110714	NW-40	1.50	2.46	78
110715	NW-50	2.00	3.21	110



Z-SEAL TEE

PART NUMBER	FLANGE O.D.	TUBE O.D.	A	PRICE \$
100733	1.33	.75	1.50	68
100734	2.12	1.00	2.04	75
100735	2.75	1.50	2.46	83
100736	3.37	2.00	3.21	210
100737	4.50	2.50	4.12	250
100738	4.62	3.00	4.33	275
100739	6.00	4.00	5.31	350
100740	6.75	5.00	5.93	560
100741	8.00	6.00	6.56	575
100742	10.00	8.00	8.00	1,000
100743	13.25	10.00	10.00	1,950



ISO TEE

PART NUMBER	FLANGE SIZE	TUBE O.D.	A	PRICE \$
120727	ISO-63	2.50	4.00	250
120728	ISO-80	3.00	4.22	285
120729	ISO-100	4.00	5.12	305
120730	ISO-160	6.00	6.31	450
120731	ISO-200	8.00	7.75	725
120732	ISO-250	10.00	9.75	1,300
120733	ISO-320	12.75	10.87	2,200
120734	ISO-400	16.00	13.37	2,700
120735	ISO-500	20.00	15.87	3,650

ASA TEE

PART NUMBER	FLANGE O.D.	TUBE O.D.	A	PRICE \$
130727	5.00	1.50	3.25	400
130728	5.00	2.00	3.25	400
130729	5.00	2.50	3.25	420
130730	6.00	3.00	5.12	510
130731	7.50	4.00	5.12	690
130732	9.00	6.00	6.50	850
130733	11.00	8.00	7.50	1,200
130734	13.50	10.00	10.00	1,900
130735	16.00	12.00	10.00	2,000