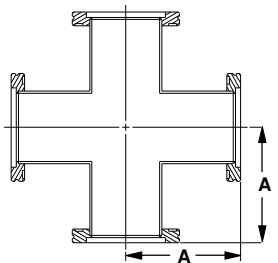
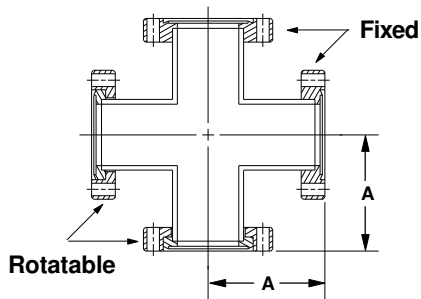
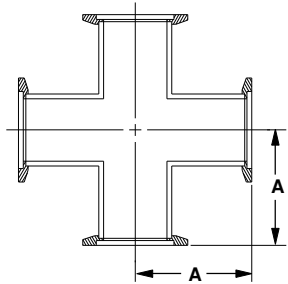


TUBE FITTINGS

[CUBE \(6-WAY CROSS\)](#) [ELBOWS](#)

[FLEXIBLE COUPLINGS](#) [HALF NIPPLES](#) [NIPPLES](#) [TEES](#)

4-WAY CROSS



ISO CROSS

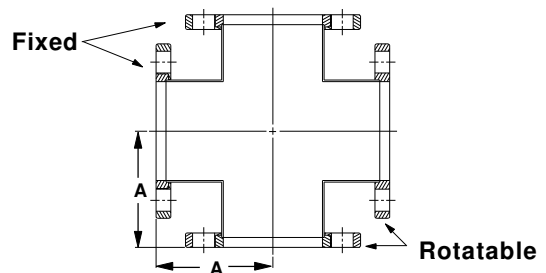
PART NUMBER	FLANGE SIZE	TUBE O.D.	A	PRICE \$
120736	ISO-63	2.50	4.00	340
120737	ISO-80	3.00	4.22	500
120738	ISO-100	4.00	5.12	520
120739	ISO-160	6.00	6.31	950
120740	ISO-200	8.00	7.75	1550
120741	ISO-250	10.00	9.75	2450
120742	ISO-320	12.75	10.87	2900
120743	ISO-400	16.00	13.37	4500
120744	ISO-500	20.00	15.87	5600

NW CROSS

PART NUMBER	FLANGE SIZE	TUBE O.D.	A	PRICE \$
110716	NW-16	.75	1.50	90
110717	NW-25	1.00	2.04	100
110718	NW-40	1.50	2.46	135
110719	NW-50	2.00	3.21	180

Z-SEAL CROSS

PART NUMBER	FLANGE O.D.	TUBE O.D.	A	PRICE \$
100744	1.33	.75	1.50	90
100745	2.12	1.00	2.04	100
100746	2.75	1.50	2.46	100
100747	3.37	2.00	3.21	270
100748	4.50	2.50	4.12	325
100749	4.62	3.00	4.33	450
100750	6.00	4.00	5.31	625
100751	6.75	5.00	5.93	800
100752	8.00	6.00	6.56	1,050
100753	10.00	8.00	8.00	1,725
100754	13.25	10.00	10.00	3,250



ASA CROSS

PART NUMBER	FLANGE O.D.	TUBE O.D.	A	PRICE \$
130736	5.00	1.50	3.25	465
130737	5.00	2.00	3.25	465
130738	5.00	2.50	3.25	505
130739	6.00	3.00	5.12	635
130740	7.50	4.00	5.12	775
130741	9.00	6.00	6.50	1,500
130742	11.00	8.00	7.50	1,540
130743	13.50	10.00	10.00	3,300
130744	16.00	12.00	10.00	3,650

NOTE: Add "OR" to part number when ordering cross with o-ring groove.

[\[Home \]](#) [\[Company \]](#) [\[Products \]](#) [\[Services \]](#) [\[Catalog \]](#) [\[Custom \]](#)

TUBE FITTINGS

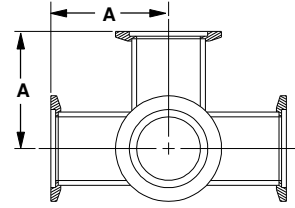
[CUBE \(6-WAY CROSS\)](#) [ELBOWS](#)

[FLEXIBLE COUPLINGS](#) [HALF NIPPLES](#) [NIPPLES](#) [TEES](#)

5-WAY CROSS

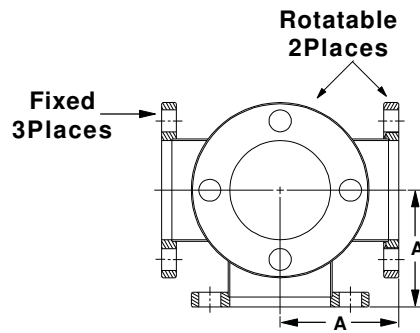
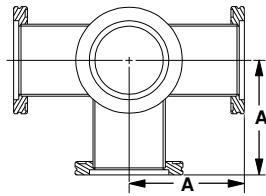
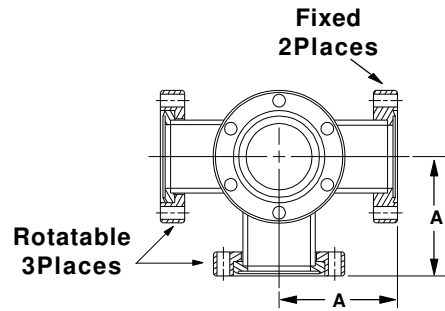
NW CROSS

PART NUMBER	FLANGE SIZE	TUBE O.D.	A	PRICE \$
110720	NW-16	.75	1.50	150
110721	NW-25	1.00	2.04	170
110723	NW-40	1.50	2.46	190
110724	NW-50	2.00	3.21	270



Z-SEAL CROSS

PART NUMBER	FLANGE O.D.	TUBE O.D.	A	PRICE \$
100755	1.33	.75	1.50	140
100756	2.12	1.00	2.04	160
100757	2.75	1.50	2.46	190
100758	3.37	2.00	3.21	365
100759	4.50	2.50	4.12	580
100760	4.62	3.00	4.33	700
100761	6.00	4.00	5.31	835
100762	6.75	5.00	5.93	1,350
100763	8.00	6.00	6.56	1,750
100764	10.00	8.00	8.00	2,000
100765	13.25	10.00	10.00	4,600



ISO CROSS

PART NUMBER	FLANGE SIZE	TUBE O.D.	A	PRICE \$
120745	ISO-63	2.50	4.00	565
120746	ISO-80	3.00	4.22	700
120747	ISO-100	4.00	5.12	815
120748	ISO-160	6.00	6.31	1,340
120749	ISO-200	8.00	7.75	1,975
120750	ISO-250	10.00	9.75	2,750
120751	ISO-320	12.75	10.87	4,650
120752	ISO-400	16.00	13.37	5,950
120753	ISO-500	20.00	15.87	7,560

ASA CROSS

PART NUMBER	FLANGE O.D.	TUBE O.D.	A	PRICE \$
130745	5.00	1.50	3.25	600
130746	5.00	2.00	3.25	600
130747	5.00	2.50	3.25	690
130748	6.00	3.00	5.12	800
130749	7.50	4.00	5.12	1,050
130750	9.00	6.00	6.50	1,515
130751	11.00	8.00	7.50	1,950
130752	13.50	10.00	10.00	2,990
130753	16.00	12.00	10.00	3,680

NOTE: Add "OR" to part number to signify O-Ring Groove is required.
Indicate which flange(s) will have groove(s).

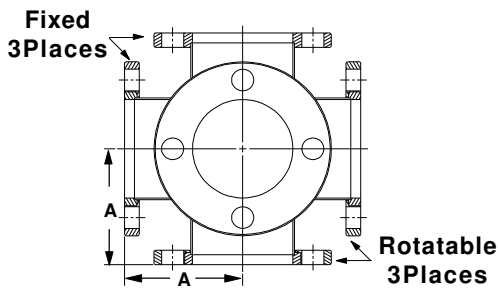
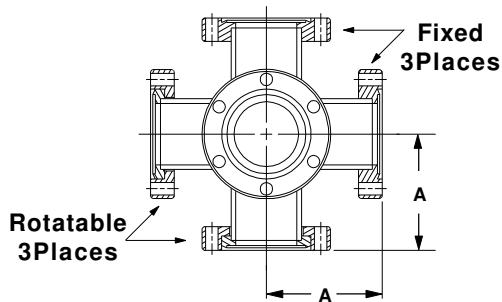
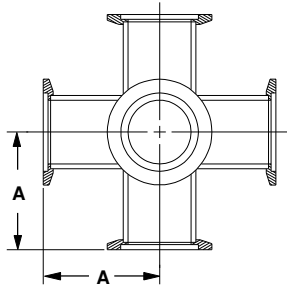
[\[Home \]](#) [\[Company \]](#) [\[Products \]](#) [\[Services \]](#) [\[Catalog \]](#) [\[Custom \]](#)

TUBE FITTINGS

[CUBE \(6-WAY CROSS\)](#) [ELBOWS](#)

[FLEXIBLE COUPLINGS](#) [HALF NIPPLES](#) [NIPPLES](#) [TEES](#)

6-WAY CROSS



ASA CROSS

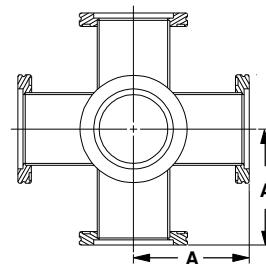
PART NUMBER	FLANGE O.D.	TUBE O.D.	A	PRICE \$
130754	5.00	1.50	3.25	700
130755	5.00	2.00	3.25	700
130756	5.00	2.50	3.25	760
130757	6.00	3.00	5.12	810
130758	7.50	4.00	5.12	1,310
130759	9.00	6.00	6.50	1,950
130760	11.00	8.00	7.50	2,470
130761	13.50	10.00	10.00	3,750
130762	16.00	12.00	10.00	4,600

NW CROSS

PART NUMBER	FLANGE SIZE	TUBE O.D.	A	PRICE \$
110725	NW-16	.75	1.50	170
110726	NW-25	1.00	2.04	185
110727	NW-40	1.50	2.46	240
110728	NW-50	2.00	3.21	365

Z-SEAL CROSS

PART NUMBER	FLANGE O.D.	TUBE O.D.	A	PRICE \$
100766	1.33	.75	1.50	170
100767	2.12	1.00	2.04	185
100768	2.75	1.50	2.46	240
100769	3.37	2.00	3.21	570
100770	4.50	2.50	4.12	775
100771	4.62	3.00	4.33	950
100772	6.00	4.00	5.31	1,125
100773	6.75	5.00	5.93	1,575
100774	8.00	6.00	6.56	2,150
100775	10.00	8.00	8.00	3,150
100776	13.25	10.00	10.00	5,000



ISO CROSS

PART NUMBER	FLANGE SIZE	TUBE O.D.	A	PRICE \$
120754	ISO-63	2.50	4.00	630
120755	ISO-80	3.00	4.22	810
120756	ISO-100	4.00	5.12	875
120757	ISO-160	6.00	6.31	1,470
120758	ISO-200	8.00	7.75	2,365
120759	ISO-250	10.00	9.75	3,025
120760	ISO-320	12.75	10.87	5,690
120761	ISO-400	16.00	13.37	7,150
120762	ISO-500	20.00	15.87	8,900

NOTE: Add "OR" to part number to signify O-Ring Groove is required.
Indicate which flange(s) will have groove(s).

[\[Home \]](#) [\[Company \]](#) [\[Products \]](#) [\[Services \]](#) [\[Catalog \]](#) [\[Custom \]](#)