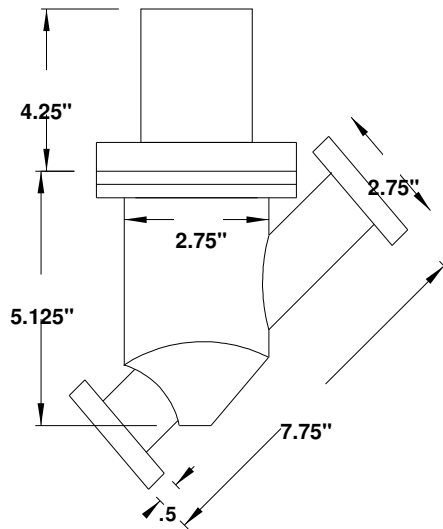


ROUGHING ACCESSORIES

[BAKEABLE RIGHT ANGLE] [ELECTROPNEUMATICALLY RIGHT ANGLE]
 [HIGH & ULTRA HIGH VACUUM VAVLES FEATURES] [IRIS]
 [STRAIGHT THROUGH] [VENT & BACK FILL]

STRAIGHT THROUGH VALVE FOR VACUUM SERVICE

- Electropneumatically operated
- Elastomer o-ring bonnet seal
- Elastomer o-ring poppet seal
- Bakeable to 150° C
- 115 volt solenoid
- 70-100 psi air
- Other power requirements available



| PART NUMBER | REFERENCE NUMBER | FLANGE O.D | PORT | PRICE |
|-------------|------------------|------------|------|--------|
| 190040 | VV-150-PS | 2.75" | 1.5" | \$ 520 |